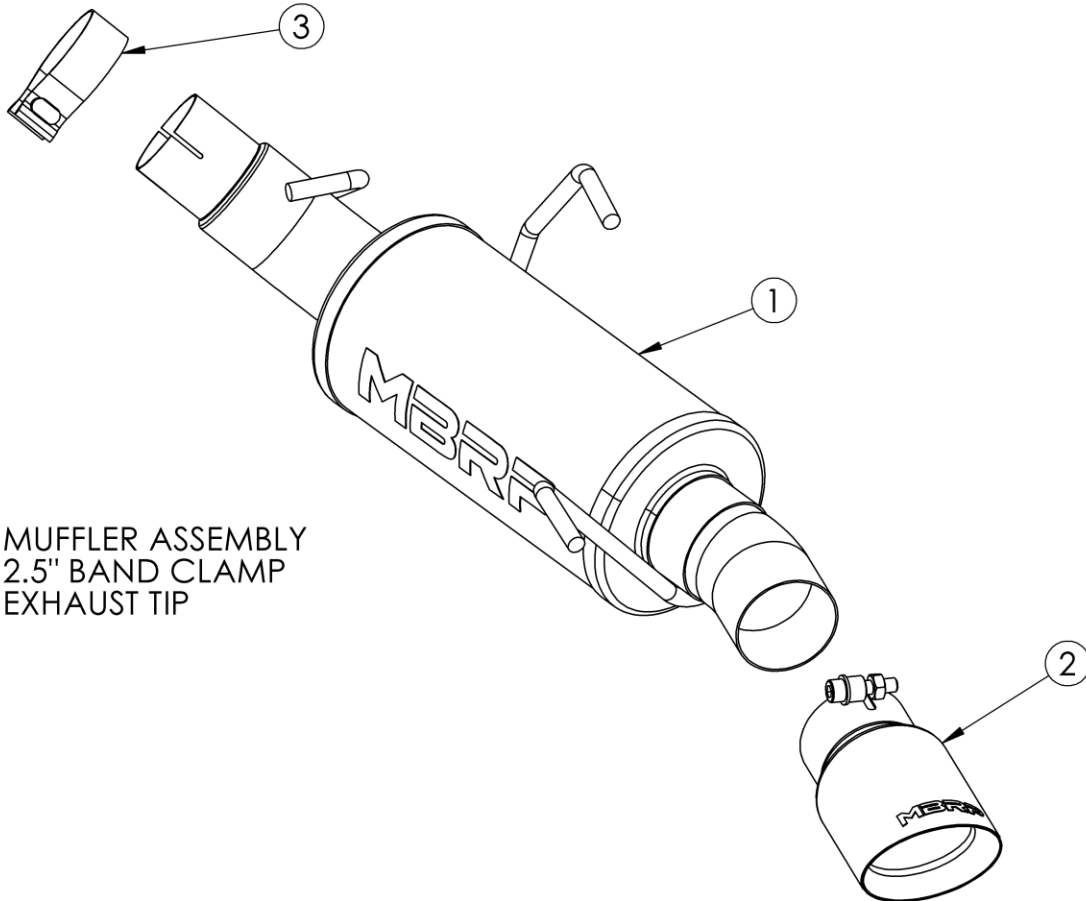


S7217

05-10 FORD MUSTANG V6, AXLE BACK

MBRP®



1. MUFFLER ASSEMBLY
2. 2.5" BAND CLAMP
3. EXHAUST TIP

PLEASE READ BEFORE STARTING INSTALLATION

While MBRP Inc. has made every effort to ensure that all components of this system are of superior quality and properly packaged, it is the installer's responsibility to ensure the following before removal of the factory exhaust:

- that ALL components shown above are present.
- that ALL mating components fit together.
- that there are no damaged components.
- that the system you have purchased is appropriate for your vehicle year, model and configuration.
- that the system will not interfere with any modifications previously installed or planned.
- that you have read and understand these instructions.

If you have any questions or are uncertain about any aspect of the installation of this system to your vehicle please contact your dealer before commencing installation.

MBRP[®]

Removal of stock system:



Figure 1

1. Apply a penetrating lubricant liberally to all exhaust fasteners, hangers, and rubber insulators.
2. Loosen the band clamp located just behind the muffler.

Refer to Figure 1

3. Remove the bolts retaining the rubber insulators and remove the muffler assembly from the vehicle. Remove the insulators from the mufflers. Do not discard the bolts or the insulators as they are required for the installation of the MBRP inc. muffler.

Refer to Figures 2



Figure 2

Installation of MBRP Inc. Performance Exhaust:

1. Slide the insulators over the muffler hangers so that when the mufflers are installed the insulators will be positioned beside the frame rails.

2. Slide a **2.5" clamp** over the **Muffler Assembly**. Now slip the **Muffler Assembly** onto the factory exhaust pipe.

3. Move the **Muffler Assembly** into place and attach the rubber insulators using the bolts previously removed.

Refer to Figure 3.



Figure 3

4. Install the supplied **Exhaust Tip**.

5. Check along the whole length of the exhaust system all hardware and clamps, starting at the front and working rearward to secure the system. Check along the full length of the exhaust system to ensure there is adequate clearance for fuel lines, vent lines, brake lines, frame, bodywork, suspension, and any wiring, etc. If there is any interference detected, relocate, or adjust to provide adequate clearance. Ensure all clamp connections are secure and components are unable to rotate or slide. Band clamps require approximately 45 lb-ft (60 Nm) of torque. Verify clearances, system security and band clamp torque after 30-60 miles (50-100 km) of driving.

Congratulations! You are ready to begin enjoying the improved performance and driving experience of your MBRP Inc. performance exhaust system. We hope you enjoy your purchase.